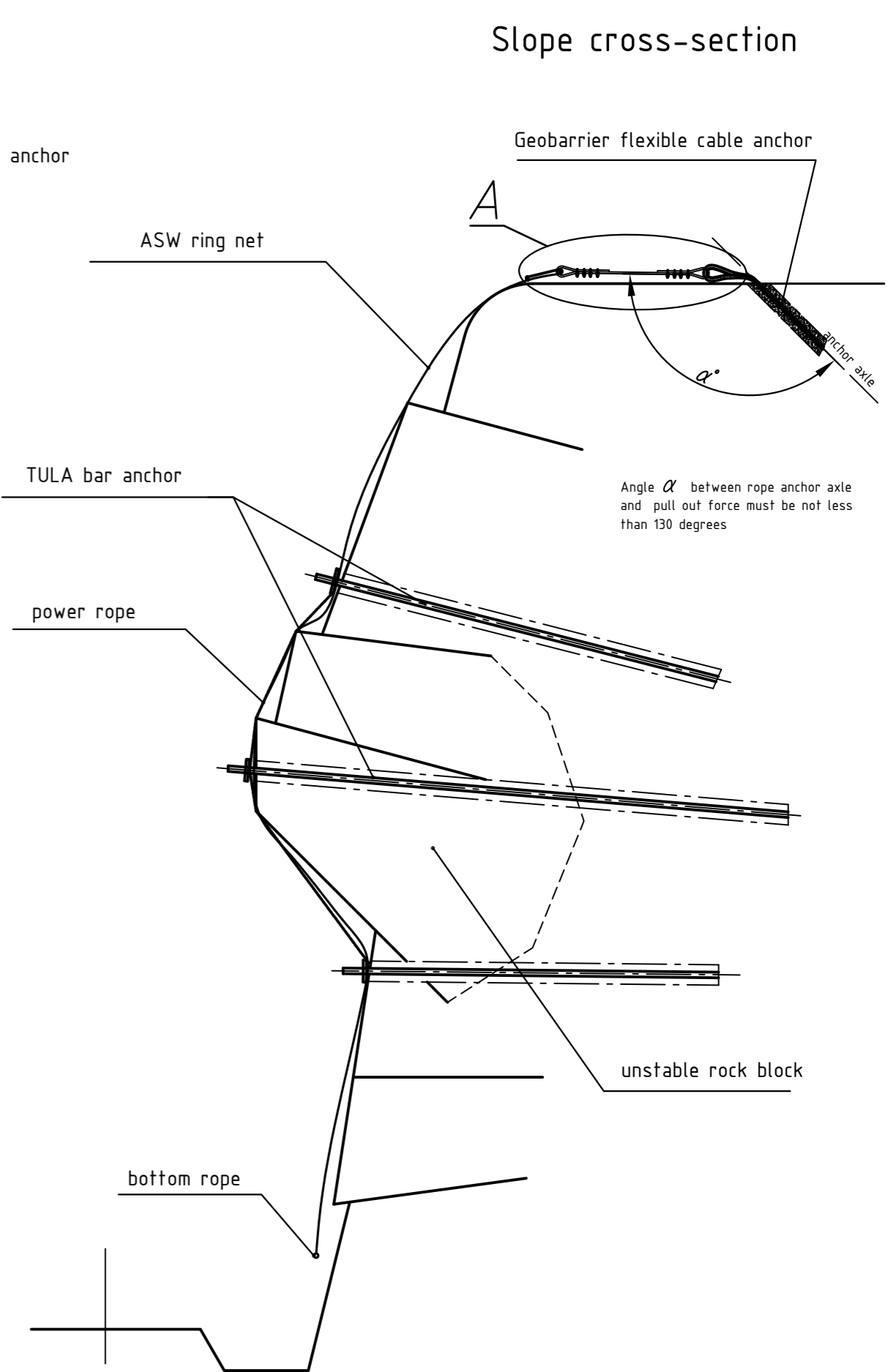
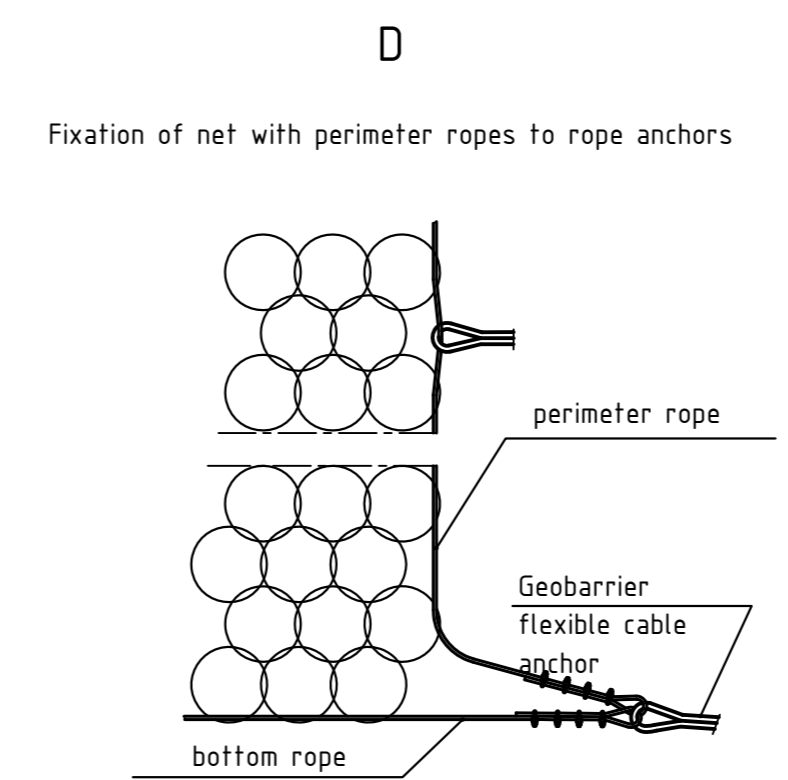
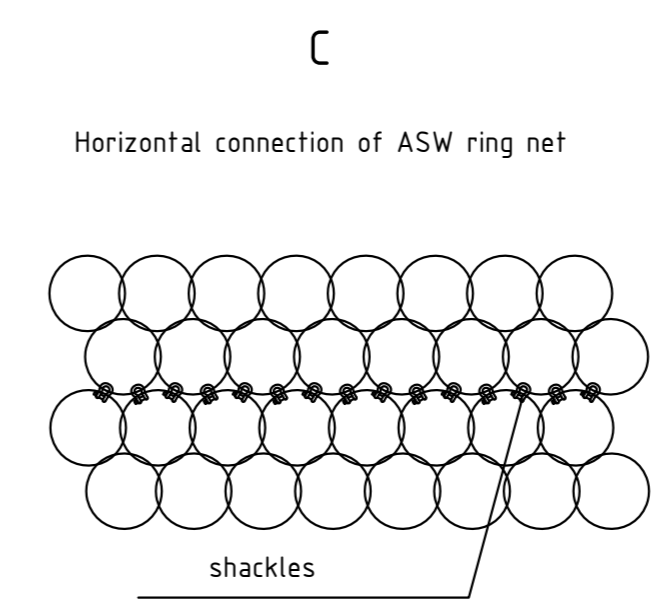
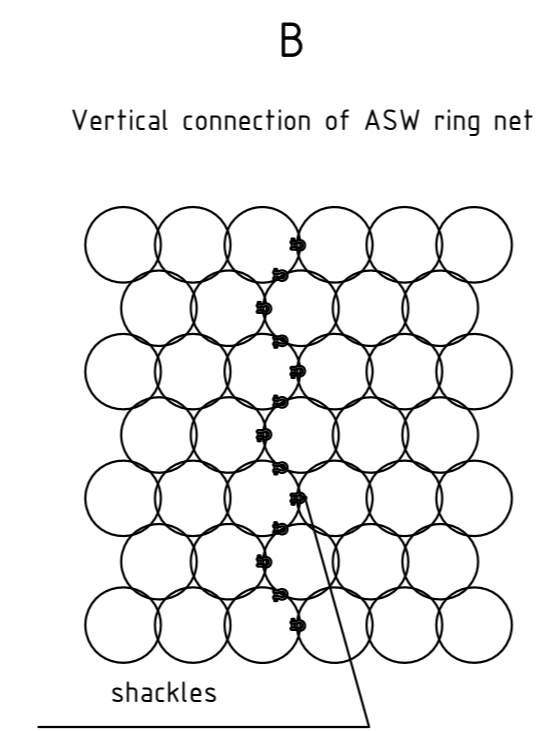
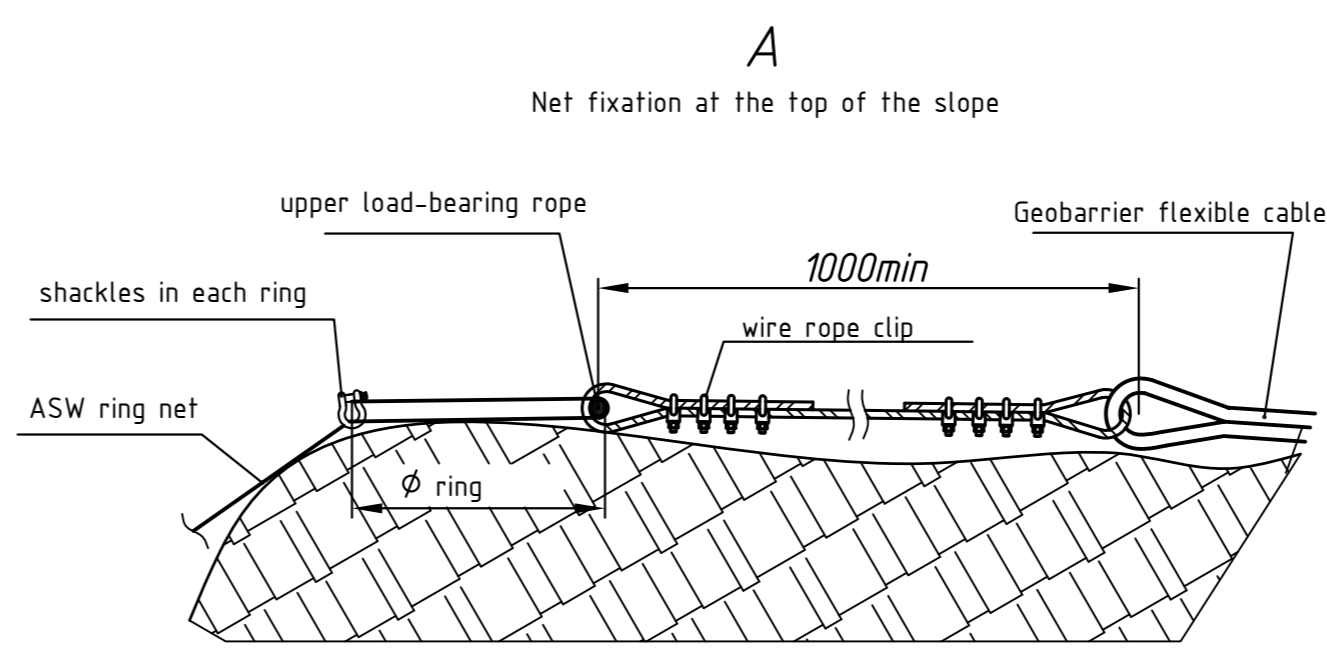
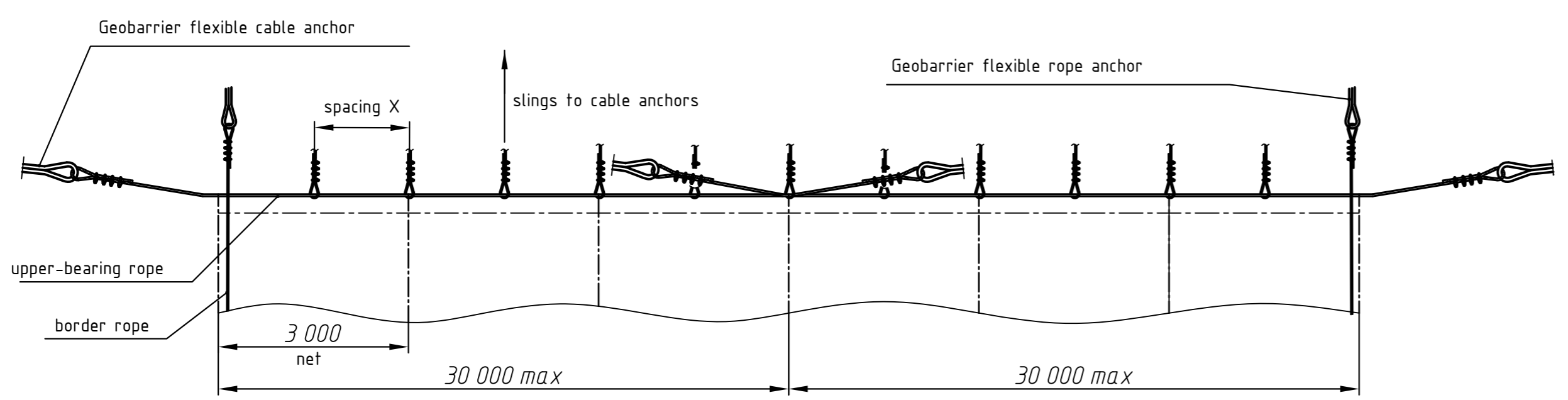


Laying of upper-bearing rope at top of the slope



Angle  $\alpha$  between rope anchor axle and pull out force must be not less than 130 degrees



1. X and Y depends from type of ASW ring net and geological conditions
2. Installation is carried from top to bottom
3. Perimeter ropes go along perimeter of slope
4. Upper-bearing rope laying in one row overlapping of ASW rings. One section of upper-bearing rope fixed to two rope anchors. Length of one section of upper-bearing rope < 30 m
5. Secondary double-twisted mesh option for little rocks

Rock slope drapery system ASW				
Изм.	Лист	№ докум.	Подп.	Дата
Разраб.				
Пров.				
Н.контр.				
Утв.				

Covering protection method		
Лист	Лист	Листов
	1	2

LLC "Geo-barrier"